

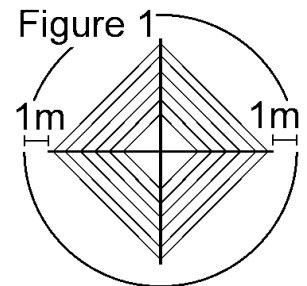
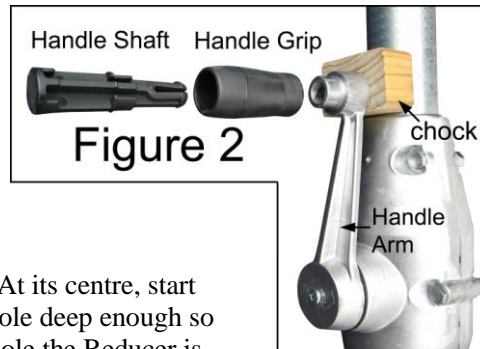
Installation Instructions for: Super, Deluxe, Elite & Special Hoists (Revision: Oct 2016)

Your Austral Rotary Clothes Hoist is designed to last a long time. It is important to follow these instructions so you will enjoy the benefits of a properly installed hoist. Incorrect installation could damage your hoist and/or void your guarantee. If at any time your Austral Hoist should not function correctly or if spare parts are required then call your state distributor listed on the guarantee page.

SITE SELECTION & DIGGING (Steps 1 - 3)

1. Select a site that gives 1m clearance to the end of each arm of the hoist (2m more than hoist's diameter), see Figure 1.

2. Place Handle Shaft through Handle Grip then tap into hole in Handle Arm whilst supporting behind the arm with a chock, see Figure 2. Turn the handle anti-clockwise to ensure the hoist is wound down as far as it goes. Also fit Handle Cover to models with plastic handle casing.



3. Ensure it is safe to dig at the selected site. At its centre, start digging a hole 200mm in diameter. Dig the hole deep enough so that when the column is stood upright in the hole the Reducer is level with the user's head height, see Figure 3. A depth of 550mm will result in the Cross being 1700mm high and the outer lines being approximately 1850mm high when the hoist is wound down. After height is set, allow column to lean over and rest in the hole.

PARTS SUPPLIED

Qty	Description	Part Number
-----	-------------	-------------

All Hoists:

1	Rotary or Helical Column	R/COL or H/COL
4	Arms (2m, 2.5m or 3m)	2m: RH01A, 2.5m: R06A or 3m: R23A
1	Handle Grip, Black Plastic	FRC11
1	Handle Shaft, Black Plastic	FRC12
4	Round End Caps, Black Plastic	R19
1	Wire Roll (50m or 70m)	R14 or R15

Hoists with Plastic Handle Casing (Elite, Deluxe & Special):

1	Handle Cover, Black Plastic	HE03
1	Steel Rod, 150mm x 8mm	FA24

Hoists with Tubular Support Stays (Super, Deluxe & Elite):

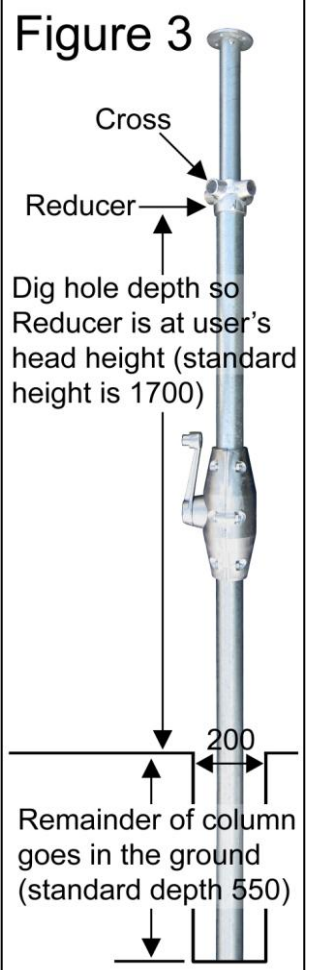
4	Tubular Stays (1525mm or 1960mm)	4m models: RH03A, 5&6m models: R08A
4	Bolt, 35mm x 6mm	FA18
4	Bolt, 20mm x 6mm	RH04
8	Nylon Lock Nut, 6mm	FRC22
4	Washer, 6mm	R18

Hoists with Wire Rod Support Stays (Special):

4	Wire Rod Stays	RH02A
---	----------------	-------

ITEMS NOT SUPPLIED

Spirit level, crowbar, shovel, screw drivers, pliers, concrete, drainage gravel, tape measure		
---	--	--

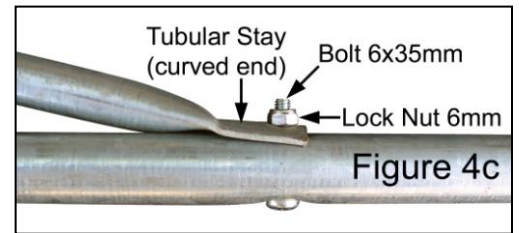
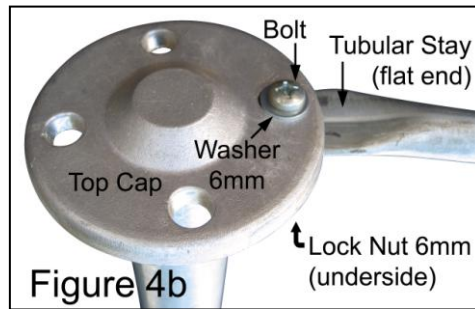
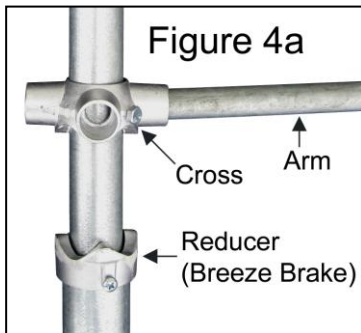


3a. Hoists with Plastic Handle Casing (Elite, Deluxe & Special): Remove the column from the hole and insert the Steel Rod through the pre-drilled holes in the bottom of the column. Place column back in the hole. Other models do not require Steel Rod, they have pressed ends to hold firm in the concrete.

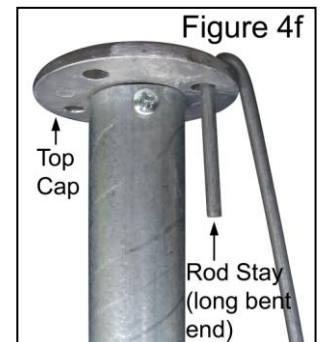
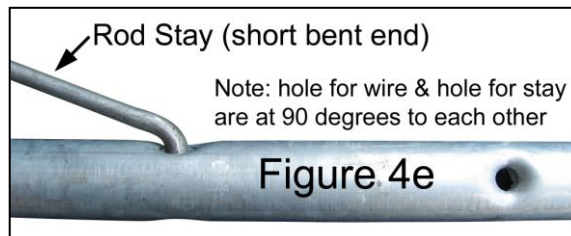
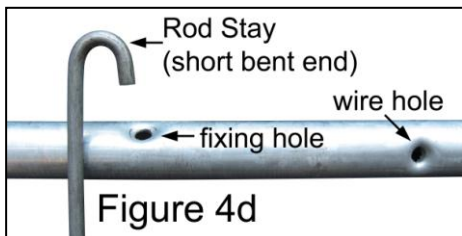
HEAD SECTION ASSEMBLY (Steps 4 – 5)

Note: If you would prefer to concrete the column in before assembling the head section then skip to “CONCRETING (Steps 11-12)”. After allowing the concrete to cure for 48 hours continue with Step 4 onwards.

4i. Tubular Stay models (Super, Deluxe & Elite): Note: Only finger-tighten bolts at first. Tighten firmly after all arms & stays are attached. Put an Arm into the Cross and allow to rest, see Figure 4a. Put a 20mm x 6mm Bolt through a 6mm Washer and fit through the top of the Top Cap. Secure the flat end of a Tubular Stay to the under side of the Top Cap with a 6mm Nylon Lock Nut, see Figure 4b. Locate the pair of punched holes in the Arm that are perpendicular to all the other punched holes. Using these holes, fix the curved end of the Tubular Stay to the Arm with a 35mm x 6mm Bolt and a 6mm Nut, see Figure 4c (the bolt faces up so it wont scratch people’s heads). Repeat on other Arms. Tighten all nuts & bolts.



4ii. Wire Rod Stay models (Special): Locate the pair of punched holes on the Arm that are perpendicular to all the other punched holes. Using this pair of holes, hook the short bent end of the Wire Rod Stay through one of the holes, see Figure 4d & 4e. Hook the other end of the Wire Rod Stay, the long bent end, through a hole in the Top Cap, see Figure 4f. Swing the Arm out and fit into the Cross, see Figure 4a above.

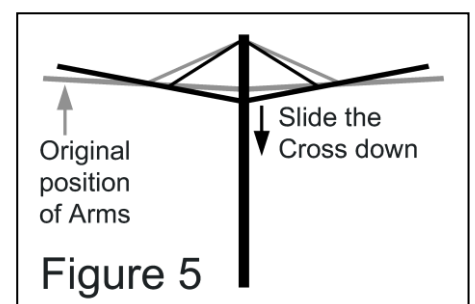


5. Wire holes on the Arms need to be horizontal and may need adjusting. To do this, insert a screwdriver through a pair of wiring holes and use it as a lever to rotate the Arm until horizontal. Repeat on other Arms.

WIRING (Steps 6 – 10)

To prevent tangling the wire, do not unwind the wire coil under the clothes hoist. Instead place the coil 5m or farther from the clothes hoist to pull wire off. Preferably, another person may be used to hold and feed the wire as another threads it.

6. From the fully wound down position, wind the hoist up a little, see Figure 4a above. Wind up 150mm for 4m diameter hoists, 100mm for 5m hoists & 75mm for 6m hoists. Loosen the Bolt in the Cross. With the Arms still in the Cross, slide the Cross down to meet the Reducer/Breeze Brake, see Figure 5. Later the Cross will be slid back into place, which further tensions the wires.



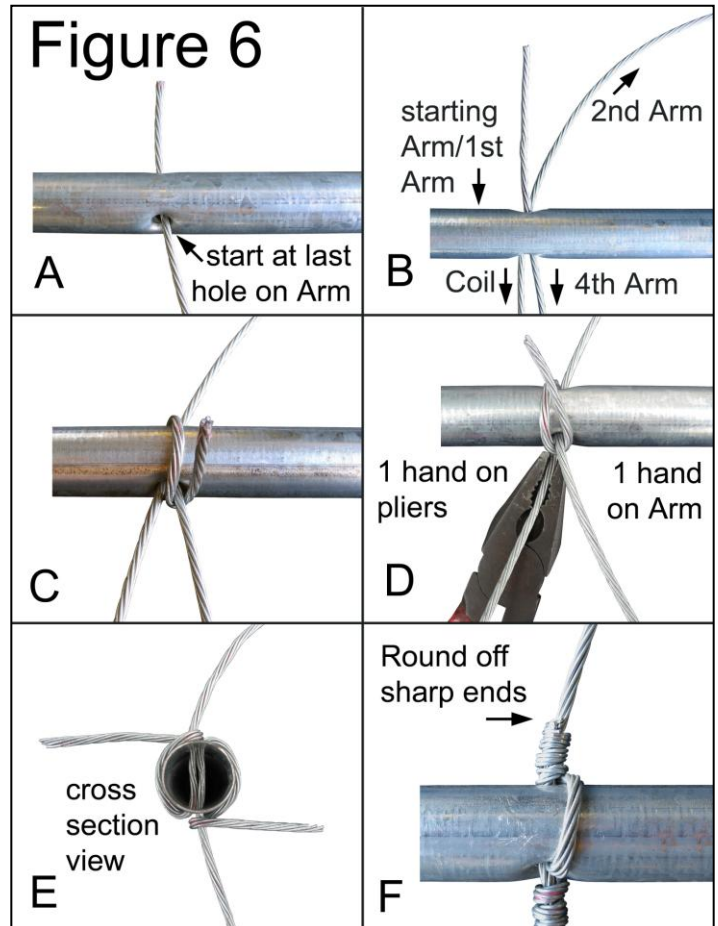
7. Thread the wire through the outer most hole on each arm, see Figure 6a. When you get back to the start, thread it through the first hole again, see Figure 6b. Bend the loose end over the arm and bend it back around itself, see Figure 6c. Walk around the line and straighten any kinks in the wire by hand. Cut the section of wire running between the coil and the Arm, allow a loose end of about 200mm (Note: each line will have a separate piece of wire). Using a pair of pliers or vice grips, pull the loose end *taut whilst pushing against the arm with your other hand, see Figure 6d. When tight, bend the loose end under the arm and bend it back around itself, see Figure 6e. Twist each of the loose ends around itself for 3 or 4 turns and then cut the wire so that the ends are pointing to the ground (ends pointing up will catch clothing). Use pliers to shape the loose ends back into its self and round off any sharp edges, see Figure 6f

*Tensioning should be progressively tighter as you move from the outer most line to the inner most line. The 3 outer lines should be tightened by simply pulling the wire firmly whilst pushing against the arm. The 3 to 4 inner lines should be tightened similarly but with the addition of twisting the pliers and levering them against the arm to gain extra tension. Do not make the outer lines too tight as they are the most effected when the Cross is moved back to its original location.

8. Check the distance between each arm is approximately 90 degrees by standing at the end of each arm and looking along it. Tap the arms sideways to correct their alignment where necessary.

9. Starting on the same arm, repeat step 7 and 8 for the remaining lines. However, thread and tension each wire in the opposite direction to the previous, ie clockwise, counter-clockwise, clockwise etc. This prevents the arms from being pulled too far to one side.

10. After all lines have been wired and tied off, the Cross can be moved back into place (doing so will add tension to the lines). Wind the column all the way back down whilst pulling down on the Top Cap. Ensure that the Arms/Cross line-up with the holes in the Top Cap then tighten back up the bolt in the Cross. Fit the 4 Round End Caps.



CONCRETING (Steps 11 – 12)

11. Mix concrete in the ratio of 4 gravel, 2 sand and 1 cement or use premixed concrete bags. To hold the column erect, the concrete must be mixed fairly dry but should just be wet enough that it sticks to itself, it should not crumble.

12. With the column resting in the hole, add 50-100mm of drainage gravel around the base of the column. Then pour concrete into the hole until it reaches 20mm from finished ground level (last 20mm is soil). The column must now be stood in a vertical position and the concrete must be packed. To check that the column is plumb use a spirit level. To pack the concrete use a crowbar or similar and repeatedly plunge it into the concrete to ram it tight (this ensures the concrete has no air pockets). If the concrete level drops after packing top it back up so it stays 20mm below ground level. Alternate between checking the column is vertical and packing the concrete. Repeat until the column is plumb and the concrete is packed tightly (ie when further packing has no effect on the concrete level). The drier mix of packed concrete should hold the column in place. Fill the last 20mm of the hole with soil and gently pat down. Check column is vertical once more for final position.

*****DO NOT USE OR TOUCH FOR 48 HOURS*****

MAINTENANCE & POINTERS TO ENSURE LONG LIFE OF YOUR HOIST

- Occasionally check all nuts and bolts for tightness.
- When hoist not in use, wind it up just enough so it can spin freely.
- Prevent kiddies and wanna-be kiddies from swinging on the hoist. It's a clothesline, not a Maypole!
- Reapply grease inside the handle gearbox every few years (ants bring in dirt to build nests when grease is absent).

MANUFACTURER'S WARRANTY

Austral Clothes Hoists Pty Ltd ("Austral") provides the following warranty in relation to its Clothes Lines products ("Product").

WARRANTY

Subject to the exclusions below, Austral warrants:

- **for 12 months from date of purchase:** the repair or replacement, in its discretion, of any Product that fails to operate correctly due to faulty workmanship or defective materials. The "materials" includes the plastic components and cord.
- **for 10 years from date of purchase:** the repair or replacement, in its discretion, of any part of the tubular frame that is broken or distorted as a direct result of rust. The "tubular frame" comprises the circular, square or rectangular hollow steel frame on powder coated or galvanised Product.

The benefits of this warranty are in addition to the non-excludable rights and remedies imposed by Australian State and Federal legislation.

WARRANTY CLAIMS

To make a warranty claim, please contact your place of purchase or your local Distributor with details of the alleged defect and your original receipt as proof of purchase. Where it is deemed necessary, Austral will arrange for the inspection of your Product.

You must bear the cost of making the Warranty claim. Austral will bear the cost of repairing or replacing defective Product (including freight or postage of replacement Product).

WARRANTY EXCLUSIONS

Austral's Products are suitable for air drying purposes.

The Warranty does not cover:

- defects caused through abuse or misuse.
- incorrect adjustments or unauthorised repairs.
- defects caused by incorrect installation.
- Product damage or deterioration due to abnormal environmental conditions including storm damage, fire, wind, humidity, pressure, stress and similar.
- powder coat deterioration caused by exposure to sea air where the Product is installed in coastal areas.
- defects caused through normal wear and tear.
- defects caused through the installation or use of a clothesline cover or sunshade.

SPARE PARTS

Austral maintains stock of spare parts for a reasonable period of time. Spare parts may not be available for the entire duration of this Warranty.

Austral reserves the right to repair or replace defective Product with parts and components of similar quality, grade and composition where an identical part or component is not available.

Goods presented for repair may be replaced by refurbished goods of the same type rather than being repaired.

LIMITATIONS

Austral makes no express warranties or representations other than as set out in this warranty. The repair or replacement of the Product or part of the Product is the absolute limit of Austral's liability under this express warranty.

Distributor Contacts:

State:	Phone:	Address:
VIC & TAS	03 9799 8122	32-34 Hydrive Close, Dandenong South, VIC, 3175
NSW & ACT	02 9958 1533	PO Box 380, Cammeray, NSW, 2062
SA & NT	08 8337 4445	20 Sunbeam Road, Glynde, SA, 5070
WA	08 9455 1985	Unit 3, 12-14 Panama Street, Canning Vale, WA, 6155
QLD	07 5596 2520	8 / 24 Palings Court, Nerang, QLD, 4217

Contact your local Retailer or Distributor for Spare Parts, Accessories and Warranty claims.

Our goods come with guarantees that cannot be excluded under the Australian Consumer Law. You are entitled to a replacement or refund for a major failure and for compensation for any other reasonably foreseeable loss or damage. You are also entitled to have the goods repaired or replaced if the goods fail to be of acceptable quality and the failure does not amount to a major failure.