

FOLD DOWN GROUND MOUNT KIT INSTALLATION INSTRUCTIONS

Parts supplied:

1 x Rear Bar (2430mm long x 22mm x 22mm)

2 x Post (2250mm long x 50mm x 25mm)

Accessory Pack:

2 x Bolts (80mm x 6mm) and Nuts to suit

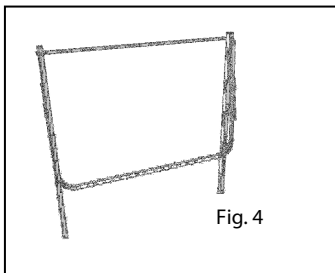
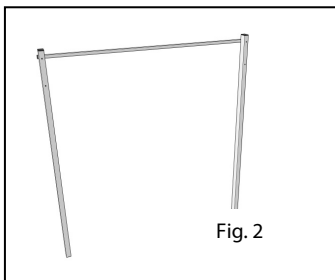
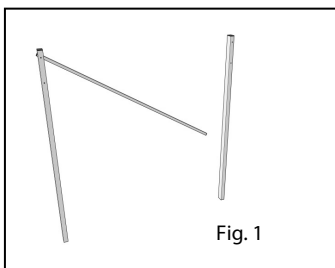
2 x Bolts (60mm x 6mm) and Nuts to suit

4 x Washers

2 x Plastic Caps for Post ends (50mm x 25mm)

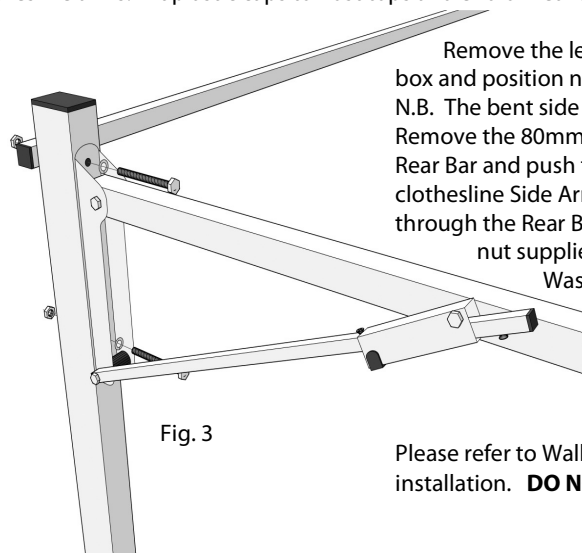
2 x Plastic Caps for Rear Bar end (22mm x 22mm)

For general installation where user's height is unknown, install Posts with top bolt hole approximately 1800mm above finished ground level. If user's height is known, install Posts with top bolt hole approximately 50mm above head height.



Step 1:

Select a suitable level site and dig two holes 2400mm apart (centre to centre). The holes should be 200-250mm in diameter and approximately 400-500mm deep depending on finished height required. Stand one Post in the hole to determine correct height. The bolt holes should be facing forward. Mix quick setting concrete according to manufacturer's instructions or in the ratio of 4 gravel: 2 sand: 1 cement. The concrete must be mixed fairly dry to hold the Post upright but moist enough to hold together when squeezed in the hand. Add concrete to hole with Post resting in it. Fill to within 50mm of finished ground level. With a rod tamp the concrete down, check perpendicular and ensure bolt holes are facing forward. Loosely attach the Rear Bar to the back of the top bolt hole using 80mm bolt, washer and nut supplied. Allow other end of Rear Bar to rest on ground. Cement the second Post into position – 2400mm apart centre to centre (Fig. 1). Attach the Rear Bar to the second Post (Fig. 2). Check perpendicular on both posts and ensure Rear Bar is level. Adjust if necessary prior to attaching clothesline arms. Fit plastic caps to Post tops and end of Rear Bar.



Remove the left and right side arms from the clothesline box and position near the appropriate Post.
 N.B. The bent side arms should face toward each other (Fig. 4).
 Remove the 80mm long Bolt and Washer from one side of the Rear Bar and push through the top Wall Bracket hole (on the clothesline Side Arm) through the top hole of the Post and through the Rear Bar. (Fig. 3). Secure all components using nut supplied. Using 60mm Bolt, push the Bolt and Washer through the lower Wall Bracket hole (on the Clothesline Side Arm) and through the lower Post bolt hole. Secure using Nut supplied. Repeat for other Post and Side Arm.

Please refer to Wall Mount Instructions to complete the installation. **DO NOT USE FOR 48 HOURS.**

Guarantee – State Contact Details

10 Year Structural Guarantee

Austral Clothes Hoists Pty. Ltd. guarantee the tubular frame from breakage caused from rust and distortion on all Galvanized metal products for a period of 10 years given fair wear and tear. Misuse or incorrect adjustment will void this Guarantee.

12 Month Guarantee

Austral Clothes Hoists Pty. Ltd. guarantees to replace any defective part that fails to operate correctly due to faulty Workmanship or defective materials free of charge for a period of twelve months from date of purchase. Misuse or incorrect adjustment will void this Guarantee. Austral Clothes Hoists Pty. Ltd. will not be responsible for any costs arising from postage or freight charges or for labour charges incurred in the dismantling or re-assembling of the line.

Note: Please contact your local Distributor below for your nearest stockist of spare parts and accessories.

VICTORIA/TASMANIA	(03) 97067577
NEW SOUTH WALES/ACT	(02) 99581533
QUEENSLAND	(07) 55924546
SOUTH AUSTRALIA/ N.T.	(08) 83374445
WESTERN AUSTRALIA	(08) 94551985